

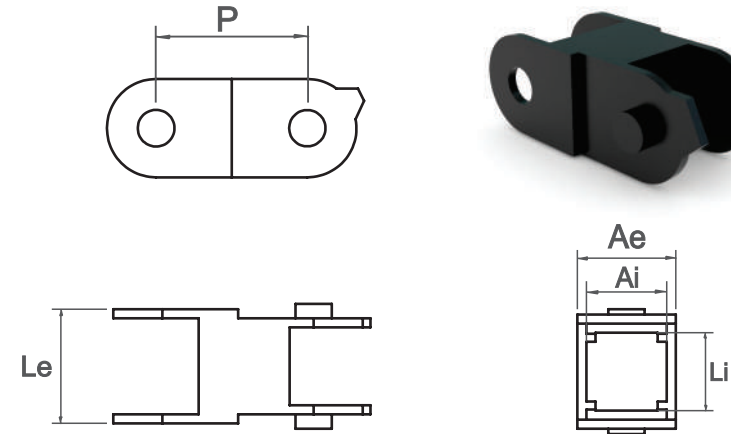
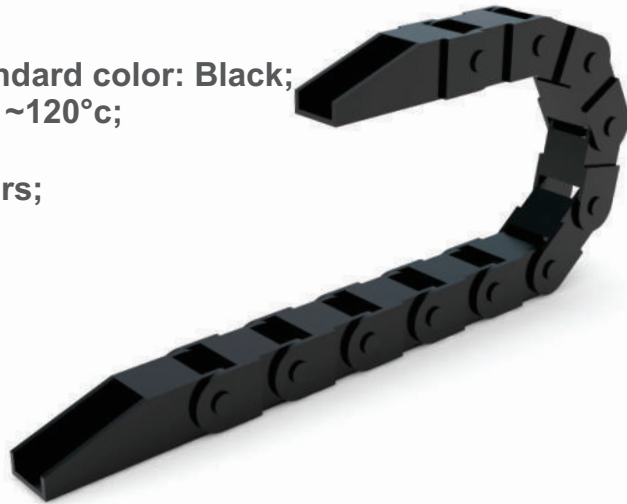
Cable Carrier T10.10

Technical Specifications

Produced in Nylon - Standard color: Black;
Temperature range: -30° ~120°C;

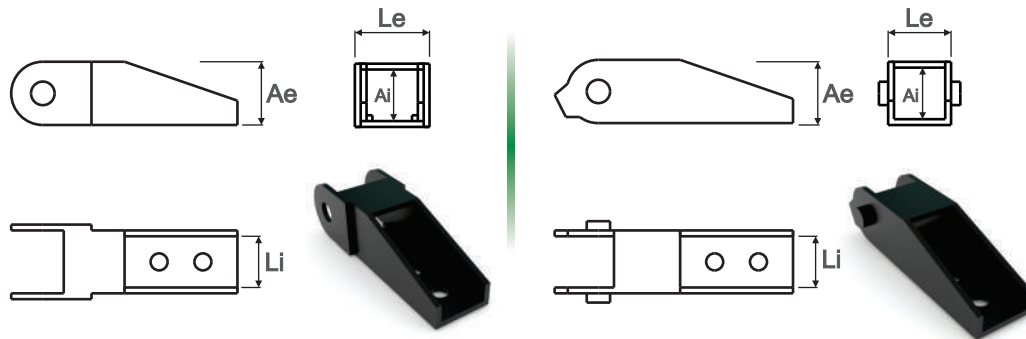
Links with fixed crossbars;

Available in 3 radius.



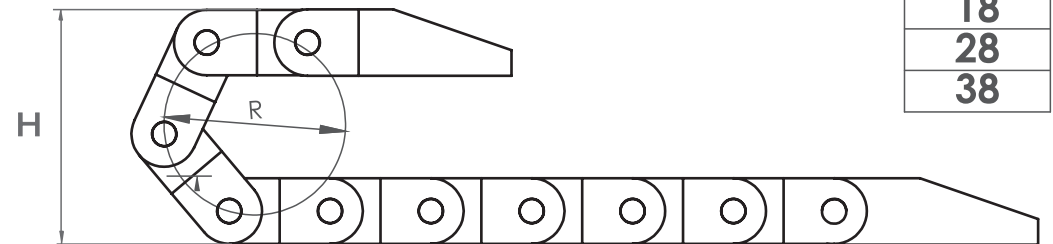
Mounting Brackets

Each cable carrier needs one set of mounting brackets made by two brackets. Each bracket should be fixed in each end of the cable carrier.



CODE	DESCRIPTION	INNER DIMENSIONS (Li x Ai)	EXTERNAL DIMENSIONS (Le x Ae)
03155	MOUNTING BRACKETS SET T10.10	10,6X10,6	15X13

Radius



CODE	DESCRIPTION	INNER DIMENSIONS (Li x Ai)	EXTERNAL DIMENSIONS (Le x Ae)	HEIGHT (H)	RADIUS (R)	PITCH (P)	LINKS/METRO	WEIGHT/METRO
03154	CABLE CARRIER T10.10.R18mm	10,6X10,6	15X13	46	18	20	49	107gr
03181	CABLE CARRIER T10.10.R28mm	10,6X10,6	15X13	70	28	20	49	107gr
03182	CABLE CARRIER T10.10.R38mm	10,6X10,6	15X13	87	38	20	49	107gr

*Unit of measurement: millimeters