

# Cable Carrier T25.25

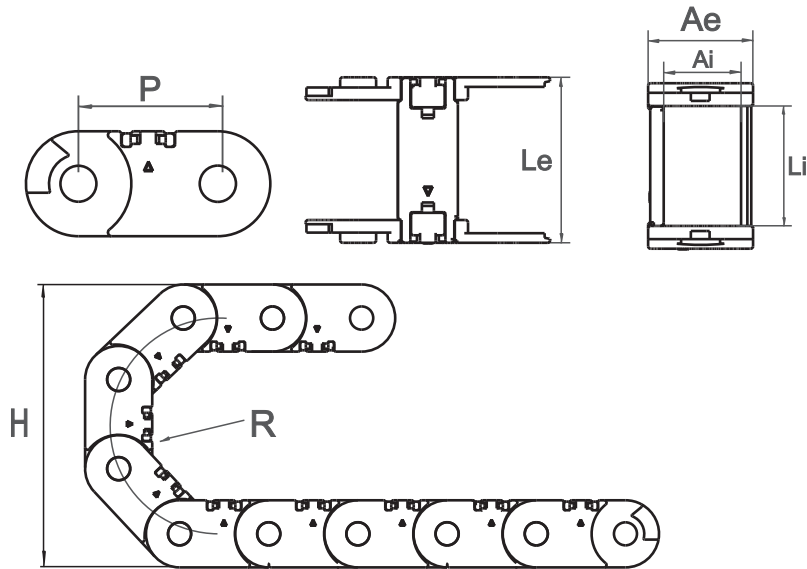
Produced in Nylon - Standard color: Black;  
Temperature range: -30° ~120°C;

Opening system that facilitates changes and maintenances of the cables and hoses.

Available in 3 radius.



## Technical Specifications

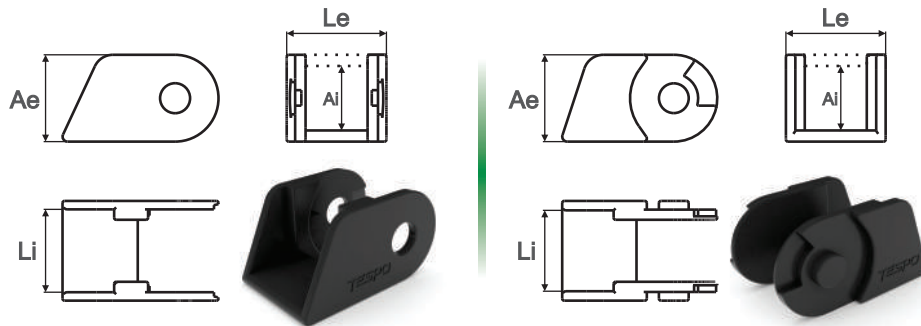


## Radius

55
75
100

## Mounting Brackets

Each cable carrier needs one set of mounting brackets made by two brackets. Each bracket should be fixed in each end of the cable carrier.



CODE	DESCRIPTION	INNER DIMENSIONS (Li x Ai)	EXTERNAL DIMENSIONS (Le x Ae)	HEIGHT (H)	RADIUS (R)	PITCH (P)	LINKS/ METRO	WEIGHT/ METRO
03603	CABLE CARRIER T25.25 R55mm	25X25	40X35	140	55	46	21	714gr
03604	CABLE CARRIER T25.25 R75mm	25X25	40X35	177	75	46	21	714gr
03605	CABLE CARRIER T25.25 R100mm	25X25	40X35	235	100	46	21	714gr

\*Unit of measurement: millimeters

## Link Assembly Plan



To open the side of the movable lock, follow steps 3 to 1 helped by a screwdriver.

CODE	DESCRIPTION	INNER DIMENSIONS (Li x Ai)	EXTERNAL DIMENSIONS (Le x Ae)
03609	MOUNTING BRACKETS SET T 25.25	25X25	40X35