

# Cable Carrier T28.20

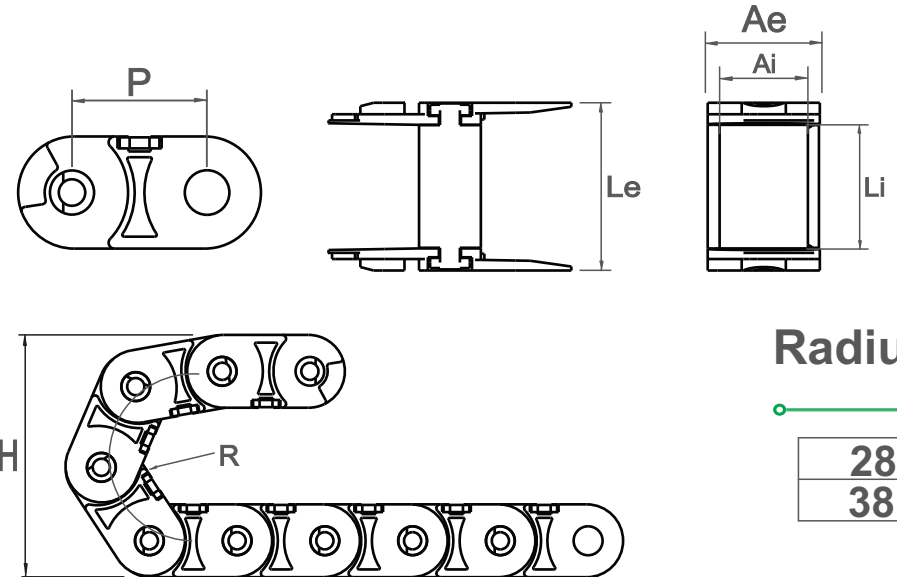
Produced in Nylon - Standard color: Black;  
Temperature range: -30° ~120°C;

Opening system that facilitates changes and  
maintenances of the cables and hoses.

Available in 3 radius.



## Technical Specifications

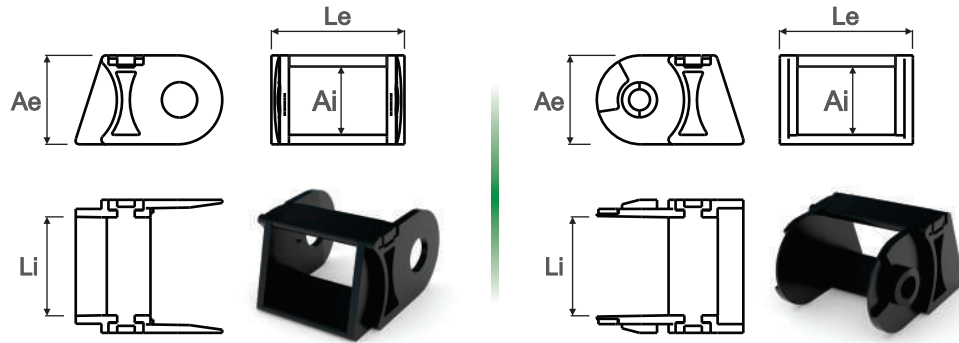


## Radius

28
38

## Mounting Brackets

Each cable carrier needs one set of mounting brackets made by two brackets. Each bracket should be fixed in each end of the cable carrier.



CODE	DESCRIPTION	INNER DIMENSIONS (Li x Ai)	EXTERNAL DIMENSIONS (Le x Ae)
03638	MOUNTING BRACKETS SET T28.20	28X20	38X25

CODE	DESCRIPTION	INNER DIMENSIONS (Li x Ai)	EXTERNAL DIMENSIONS (Le x Ae)	HEIGHT (H)	RADIUS (R)	PITCH (P)	LINKS/METRO	WEIGHT/METRO
03636	CABLE CARRIER T28.20 R28mm	28X20	38X25	80	28	31	32	340gr
03637	CABLE CARRIER T28.20 R38mm	28X20	38X25	100	38	31	32	340gr

\*Unit of measurement: millimeters

## Link Assembly Plan

