

# Cable Carrier T40.25

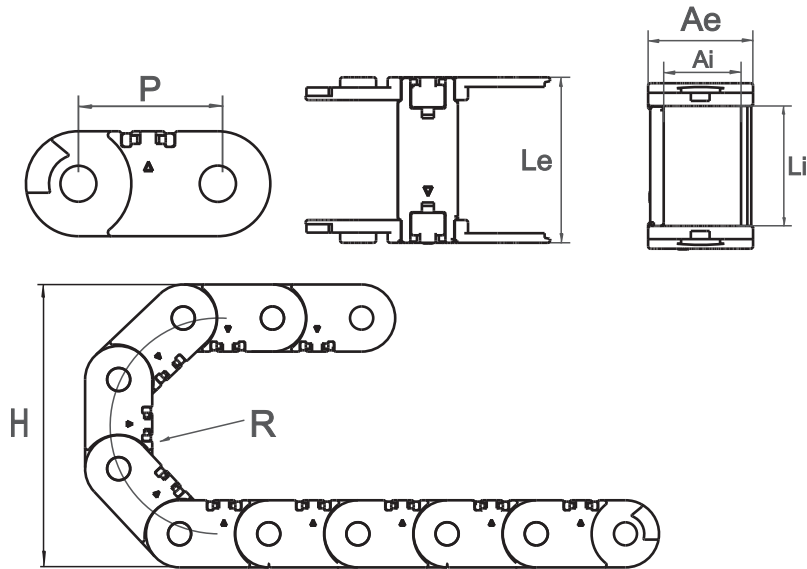
Produced in Nylon - Standard color: Black;  
Temperature range: -30° ~120°C;

Opening system that facilitates changes and maintenances of the cables and hoses.

Available in 3 radius.



## Technical Specifications

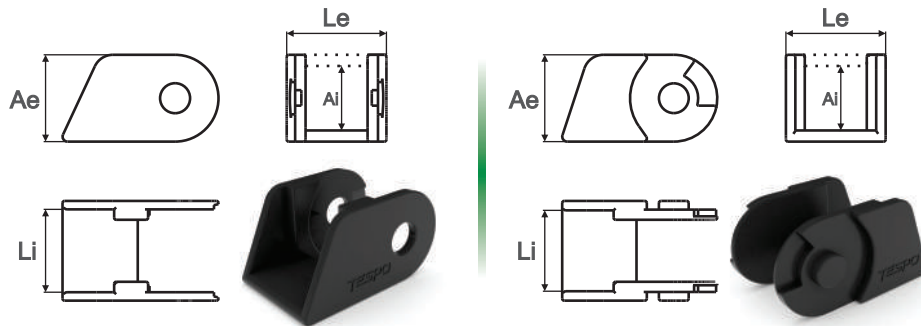


## Radius

55
75
100

## Mounting Brackets

Each cable carrier needs one set of mounting brackets made by two brackets. Each bracket should be fixed in each end of the cable carrier.



CODE	DESCRIPTION	INNER DIMENSIONS (Li x Ai)	EXTERNAL DIMENSIONS (Le x Ae)
03612	MOUNTING BRACKETS SET T40.25	40X25	55x35

CODE	DESCRIPTION	INNER DIMENSIONS (Li x Ai)	EXTERNAL DIMENSIONS (Le x Ae)	HEIGHT (H)	RADIUS (R)	PITCH (P)	LINKS/METRO	WEIGHT/METRO
03606	CABLE CARRIER T40.25 R55mm	40X25	55x35	140	55	46	21	756gr
03607	CABLE CARRIER T40.25 R75mm	40X25	55x35	177	75	46	21	756gr
03608	CABLE CARRIER T40.25 R100mm	40X25	55x35	235	100	46	21	756gr

\*Unit of measurement: millimeters

## Link Assembly Plan



To open the side of the movable lock, follow steps 3 to 1 helped by a screwdriver.