

# Cable Carrier T125.50

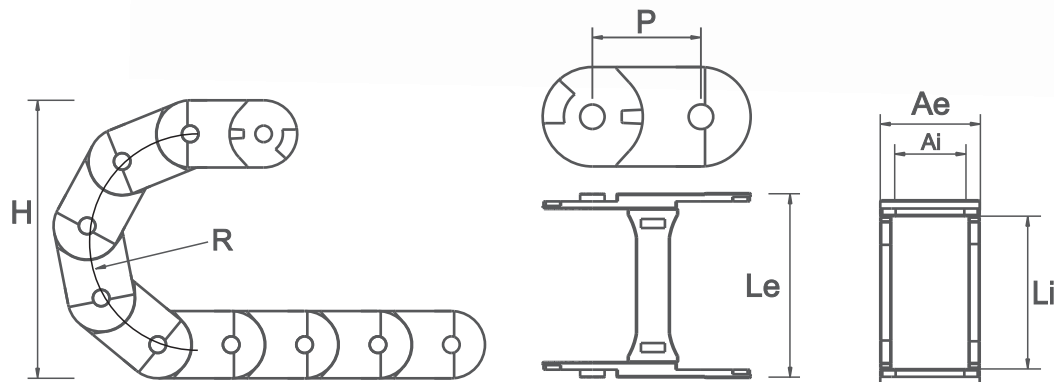
Produced in Nylon - Standard color: Black;  
Temperature range: -30° ~120°C;

Opening system that facilitates changes and  
maintenances of the cables and hoses.

Model with cables separator;

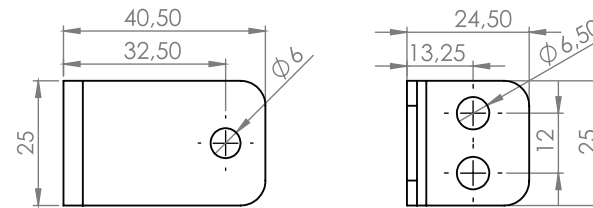
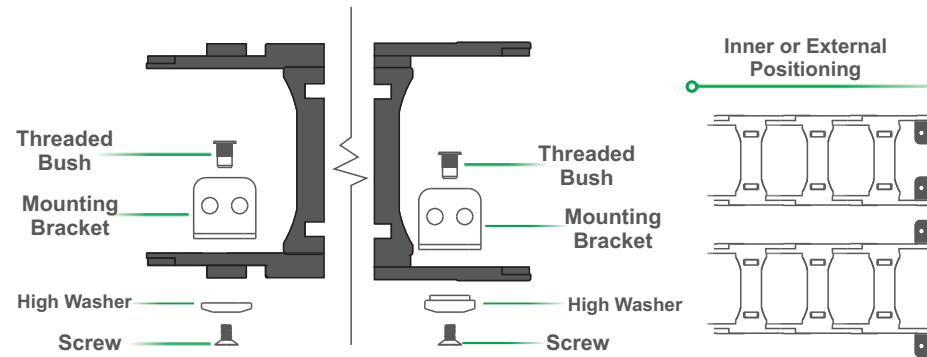
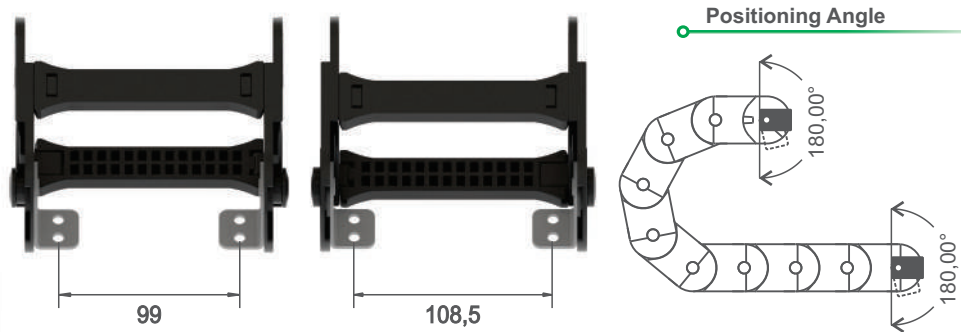


## Technical Specifications



| CODE  | DESCRIPTION                     | INNER DIMENSIONS<br>(Li x Ai) | EXTERNAL DIMENSIONS<br>(Le x Ae) | HEIGHT<br>(H) | RADIUS<br>(R) | PITCH<br>(P) | LINKS/<br>METRO | WEIGHT/<br>METRO |
|-------|---------------------------------|-------------------------------|----------------------------------|---------------|---------------|--------------|-----------------|------------------|
| 03709 | CABLE CARRIER<br>T125.50.R100mm | 125x50                        | 147X65                           | 270           | 100           | 71           | 14              | 2150gr           |
| 03710 | CABLE CARRIER<br>T125.50.R150mm | 125x50                        | 147X65                           | 370           | 150           | 71           | 14              | 2150gr           |

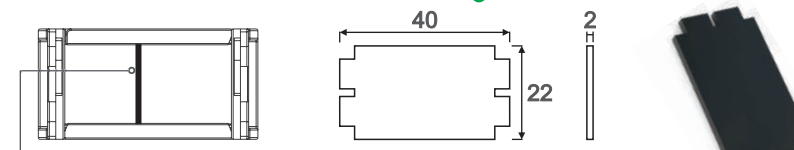
## Mounting bracket



| CODE  | DESCRIPTION          | INNER DIMENSIONS<br>(Li x Ai) | EXTERNAL DIMENSIONS<br>(Le x Ae) |
|-------|----------------------|-------------------------------|----------------------------------|
| 03720 | MOUNTING BRACKET SET | 125x50                        | 155X65                           |

\*Unit of measurement: millimeters

## Cables Separator (Cód. 03558)



Example of separator  
position inside of the link

\* Recommended to add  
1 separator every 3 links

## Assembly Plan

Step 1



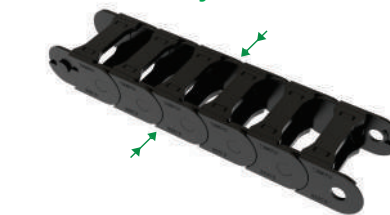
Step 2



Step 3



Final Assembly



\*Optional wrench is available to  
help during assembly process  
(Cód.03684)

