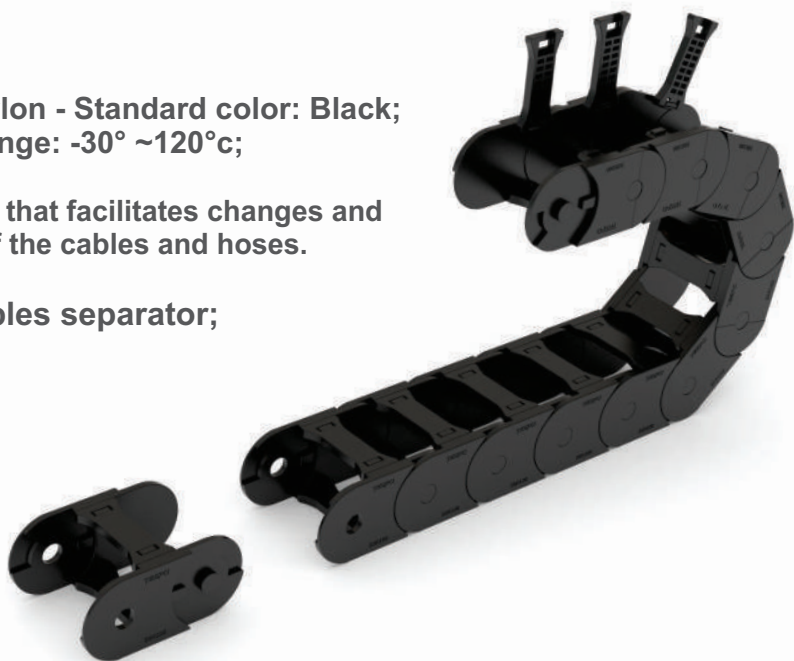


Cable Carrier T75.50

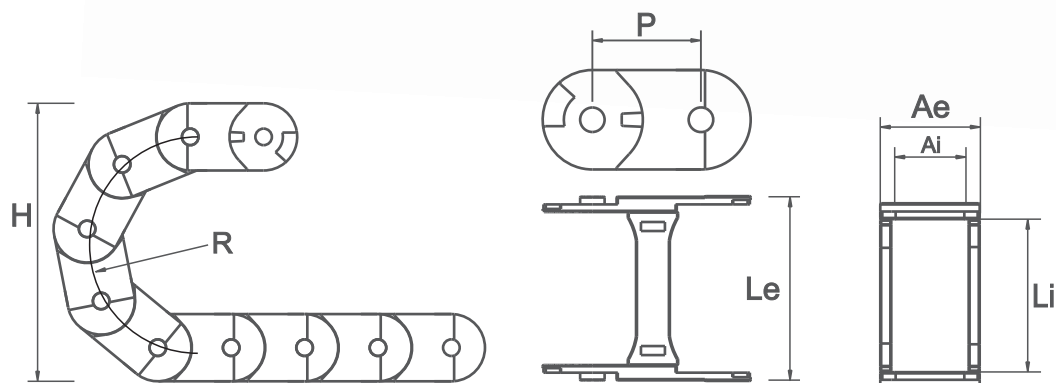
Produced in Nylon - Standard color: Black;
Temperature range: -30° ~120°C;

Opening system that facilitates changes and
maintenances of the cables and hoses.

Model with cables separator;

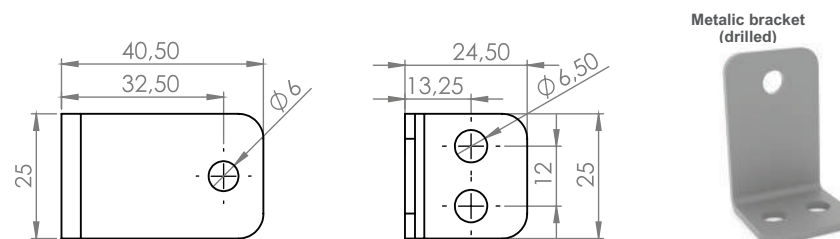
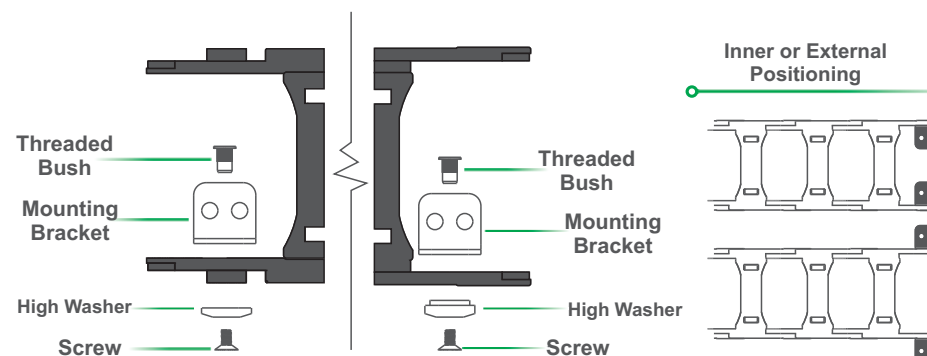
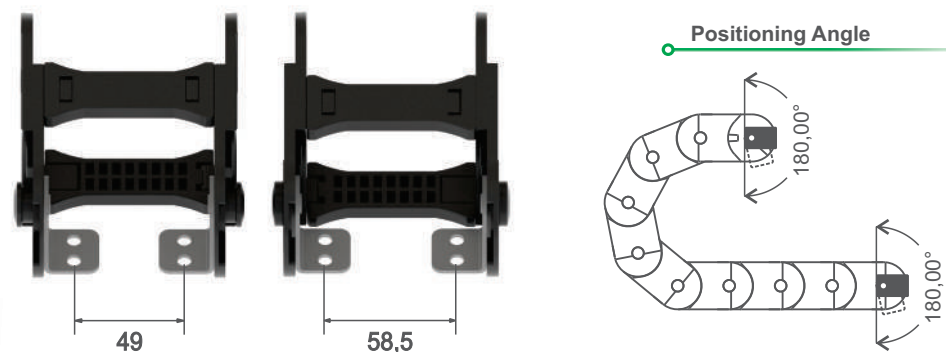


Technical Specifications



CODE	DESCRIPTION	INNER DIMENSION: (Li x Ai)	EXTERNAL DIMENSION (Le x Ae)	HEIGHT (H)	RADIUS (R)	PITCH (P)	LINKS/ METRO	WEIGHT/ METRO
03705	CABLE CARRIER T75.50.R100mm	75X50	97X65	270	100	71	14	1900gr
03706	CABLE CARRIER T75.50.R150mm	75X50	97X65	370	150	71	14	1900gr

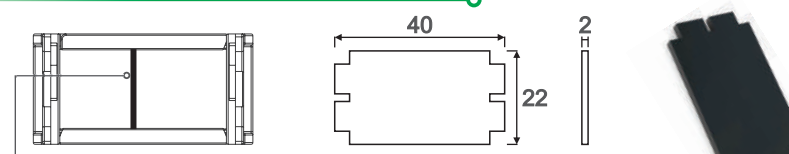
Mounting bracket



CODE	DESCRIPTION	INNER DIMENSIONS (Li x Ai)	EXTERNAL DIMENSIONS (Le x Ae)
03718	MOUNTING BRACKET SET	75X50	105X65

*Unit of measurement: millimeters

Cables Separator (Cód. 03558)



Example of separator
position inside of the link

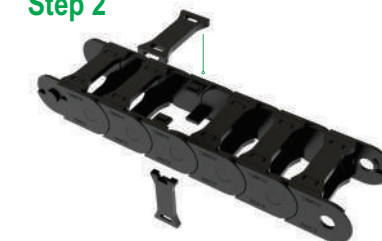
* Recommended to add
1 separator every 3 links

Assembly Plan

Step 1



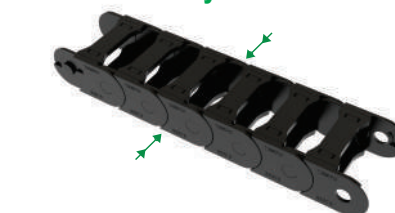
Step 2



Step 3



Final Assembly



*Optional wrench is available to
help during assembly process
(Cód.03684)

