

Cable Carrier F.T50.35

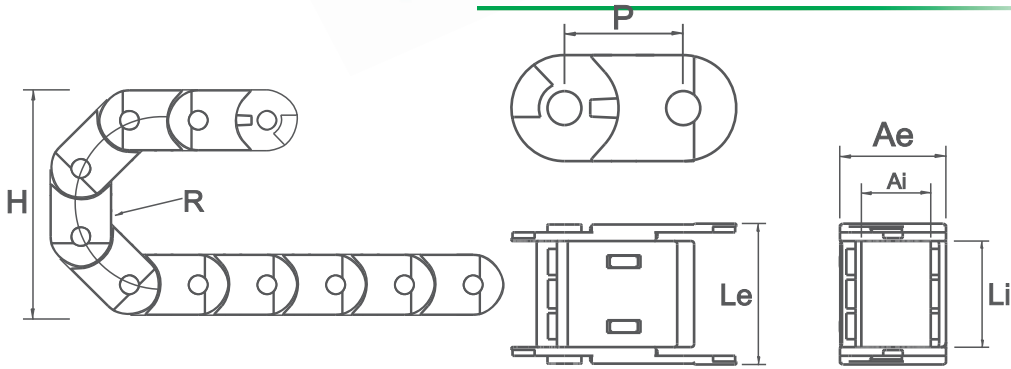
Produced in Nylon - Standard color: Black;
Temperature range: -30° ~120°c;

Opening system that facilitates changes and maintenances of the cables and hoses.

Totally closed cable carrier for protection against chips, wastes, dust, sand and others.



Technical Specifications



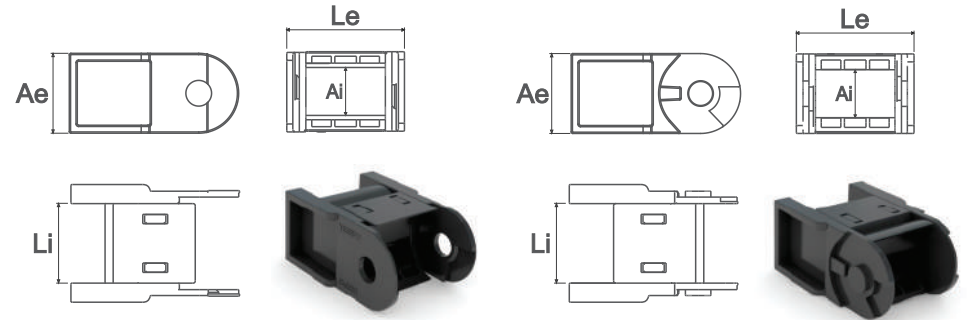
CODE	DESCRIPTION	INNER DIMENSIONS (Li x Ai)	EXTERNAL DIMENSIONS (Le x Ae)	HEIGHT (H)	RADIUS (R)	PITCH (P)	LINKS/METRO	WEIGHT/METRO
03653	CABLE CARRIER F.T50.35 R75mm	50x35	66x50	185	75	56	18	1650gr
03778	CABLE CARRIER F.T50.35 R150mm	50x35	66x50	335	150	56	18	1650gr

*Unit of measurement: milimeters

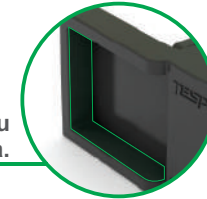
Mounting Brackets

Each cable carrier needs one set of mounting brackets made by two brackets. Each bracket should be fixed in each end of the cable carrier.

CODE	DESCRIPTION	INNER DIMENSIONS (Li x Ai)	EXTERNAL DIMENSIONS (Le x Ae)
03657	MOUNTING BRACKETS SET T50.35	50x35	74x50



For fixing the mounting brackets, you can add holes in the highlighted area.



Assembly Plan

