

Cable Carrier F.T75.35

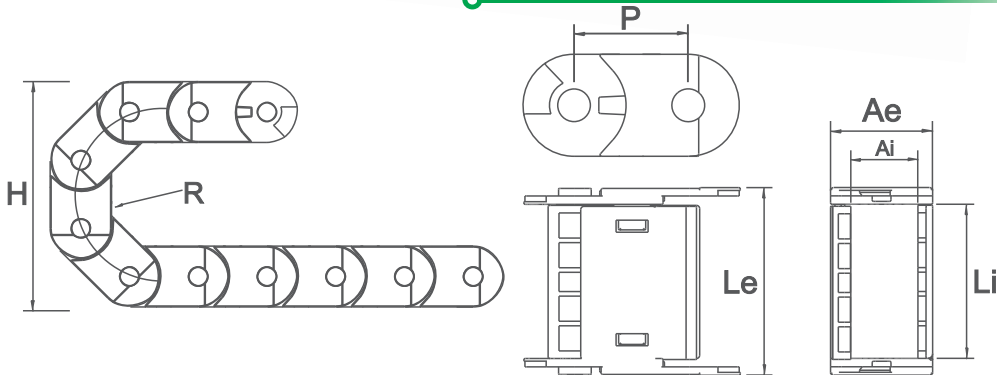
Produced in Nylon - Standard color: Black;
Temperature range: -30° ~120°C;

Opening system that facilitates changes and
maintenances of the cables and hoses.

Totally closed cable carrier for
protection against chips, wastes,
dust, sand and others.



Technical Specifications



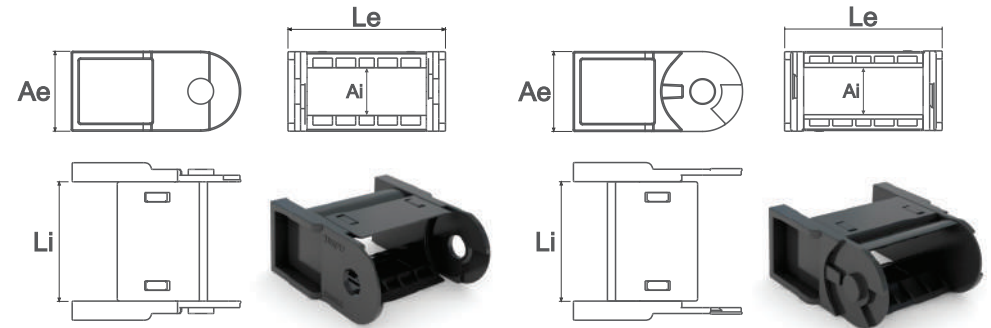
CODE	DESCRIPTION	INNER DIMENSIONS (Li x Ai)	EXTERNAL DIMENSIONS (Le x Ae)	HEIGHT (H)	RADIUS (R)	PITCH (P)	LINKS/ METRO	WEIGHT/ METRO
03654	CABLE CARRIER F.T75.35 R75mm	75x35	91x50	185	75	56	18	2040gr
03779	CABLE CARRIER F.T75.35 R150mm	75x35	91x50	335	150	56	18	2040gr

*Unit of measurement: millimeters

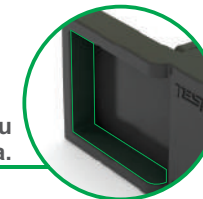
Mounting Brackets

Each cable carrier needs one set of mounting brackets made by two brackets. Each bracket should be fixed in each end of the cable carrier.

CODE	DESCRIPTION	INNER DIMENSIONS (Li x Ai)	EXTERNAL DIMENSIONS (Le x Ae)
03658	MOUNTING BRACKETS SET T75.35	75x35	99x50



For fixing the mounting brackets, you
can add holes in the highlighted area.



Assembly Plan

