



Cable Carrier T100.35 C/R

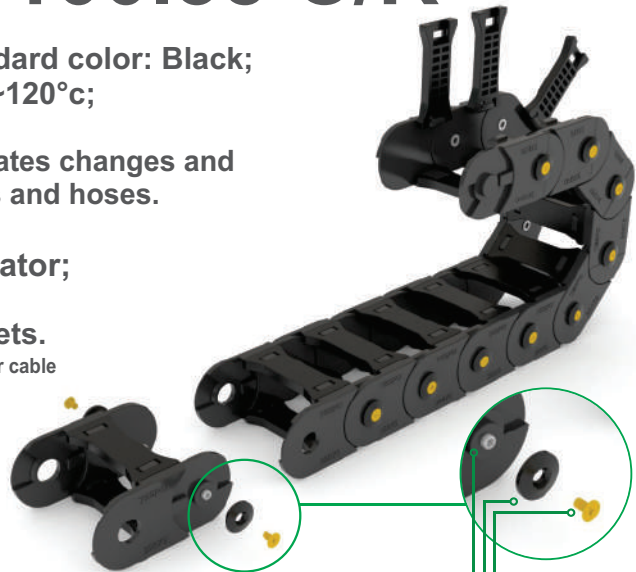
Produced in Nylon - Standard color: Black;
Temperature range: -30° ~120°C;

Opening system that facilitates changes and
maintenances of the cables and hoses.

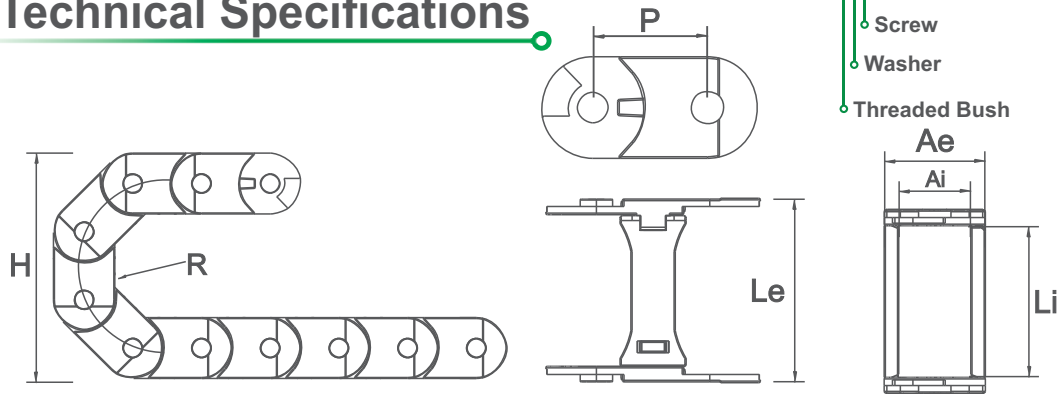
Model with cables separator;

Model with reinforcing rivets.

*Recommended for hydraulic cables or for cable
carriers with more than 4 meters length.



Technical Specifications

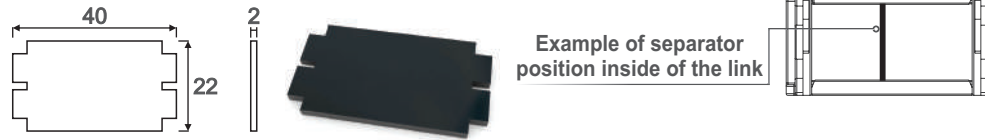


Screw
Washer
Threaded Bush

CODE	DESCRIPTION	INNER DIMENSIONS (Li x Ai)	EXTERNAL DIMENSIONS (Le x Ae)	HEIGHT (H)	RADIUS (R)	PITCH (P)	LINKS/ METRO	WEIGHT/ METRO
03641	CABLE CARRIER T100.35 R75mm With REINFORCEMENTS	100x35	126x50	185	75	56	18	1900gr
03775	CABLE CARRIER T100.35 R150mm With REINFORCEMENTS	100x35	126x50	335	150	56	18	1900gr

*Unit of measurement: millimeters

Cables Separator (Cód. 03558)

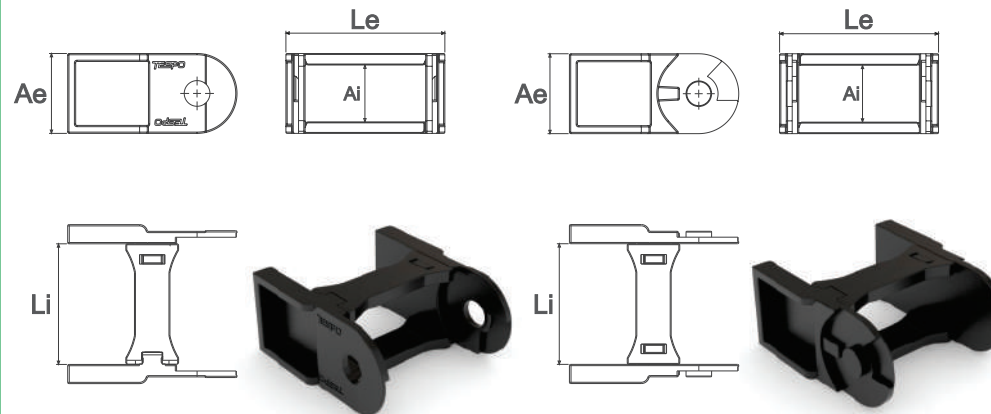


* Recommended to add
1 separator every 3 links

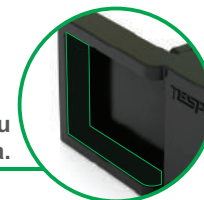
Mounting Brackets

Each cable carrier needs one set of mounting brackets made by two
brackets. Each bracket should be fixed in each end of the cable carrier.

CODE	DESCRIPTION	INNER DIMENSIONS (Li x Ai)	EXTERNAL DIMENSIONS (Le x Ae)
03485	MOUNTING BRACKETS SET T100.35	100x35	124x50



For fixing the mounting brackets, you
can add holes in the highlighted area.



Assembly Plan

Step 1



Step 2



Step 3



Final Assembly



*Optional wrench is available to
help during assembly process
(Cód.03684)

