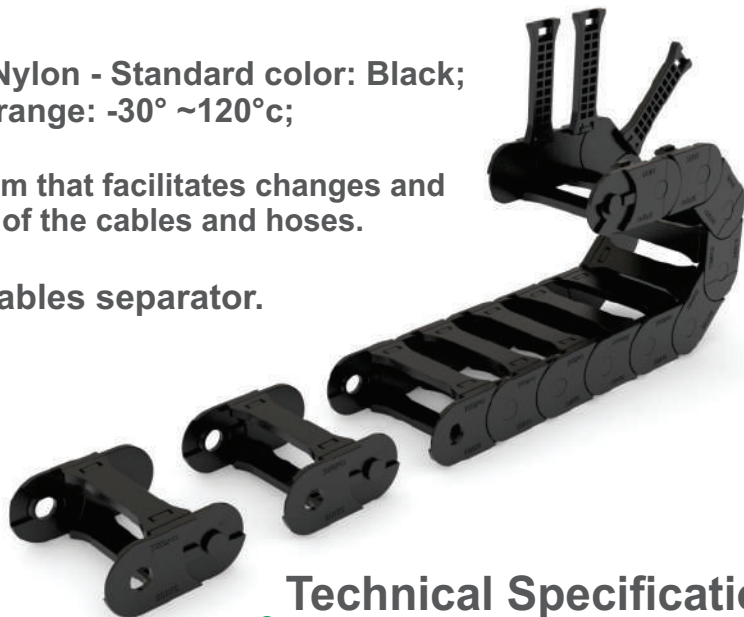


# Cable Carrier T100.35

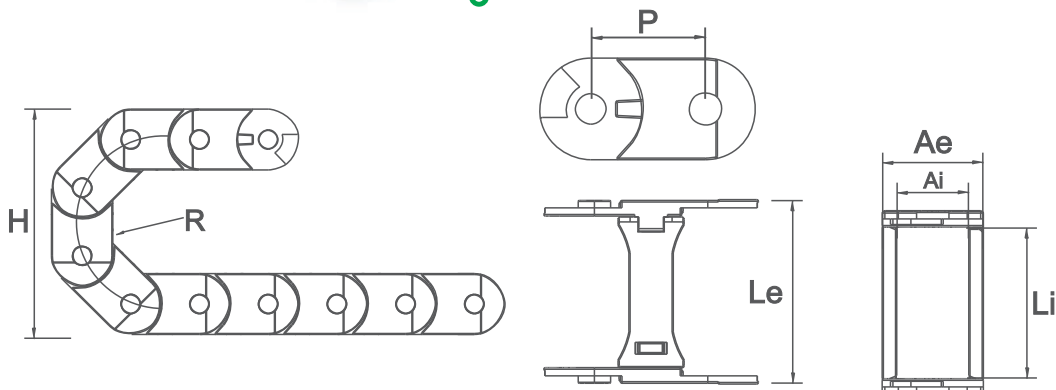
Produced in Nylon - Standard color: Black;  
Temperature range: -30° ~120°C;

Opening system that facilitates changes and  
maintenances of the cables and hoses.

Model with cables separator.



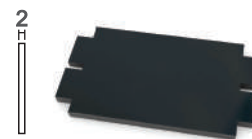
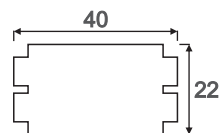
## Technical Specifications



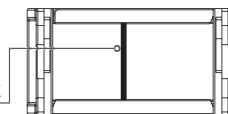
CODE	DESCRIPTION	INNER DIMENSIONS (Li x Ai)	EXTERNAL DIMENSIONS (Le x Ae)	HEIGHT (H)	RADIUS (R)	PITCH (P)	LINKS/ METRO	WEIGHT/ METRO
03484	CABLE CARRIER T100.35 R75mm	100x35	116x50	185	75	56	18	1760gr
03774	CABLE CARRIER T100.35 R150mm	100x35	116x50	335	150	56	18	1760gr

\*Unit of measurement: millimeters

## Cables Separator (Cód. 03558)



Example of separator  
position inside of the link

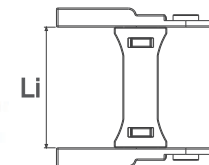
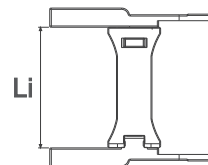
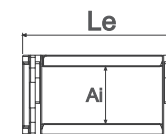
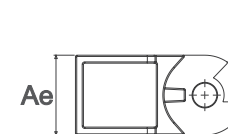
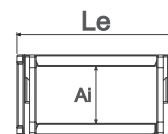
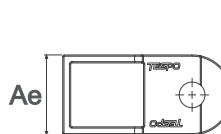


\* Recommended to add  
1 separator every 3 links

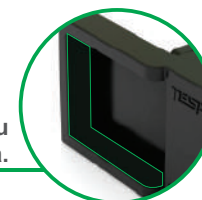
## Mounting Brackets

Each cable carrier needs one set of mounting brackets made by two  
brackets. Each bracket should be fixed in each end of the cable carrier.

CODE	DESCRIPTION	INNER DIMENSIONS (Li x Ai)	EXTERNAL DIMENSIONS (Le x Ae)
03485	MOUNTING BRACKETS SET T100.35	100x35	124x50



For fixing the mounting brackets, you  
can add holes in the highlighted area.



## Assembly Plan

Step 1



Step 2



Step 3



Final Assembly



\*Optional wrench is available to  
help during assembly process  
(Cód.03684)

