

Cable Carrier T125.35 C/R

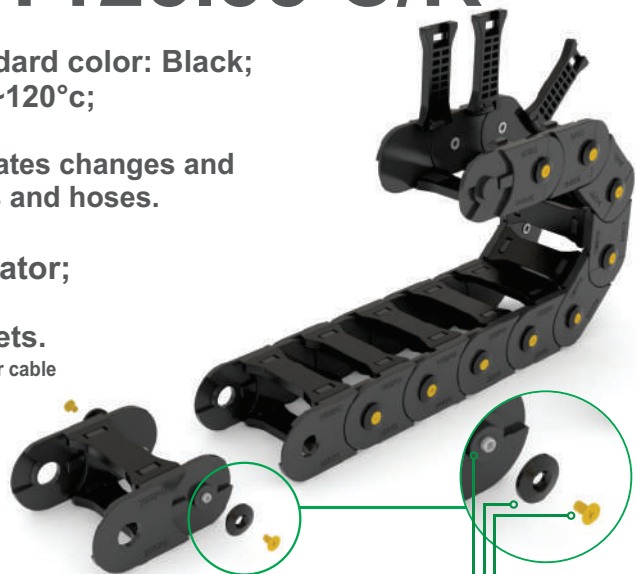
Produced in Nylon - Standard color: Black;
Temperature range: -30° ~120°C;

Opening system that facilitates changes and
maintenances of the cables and hoses.

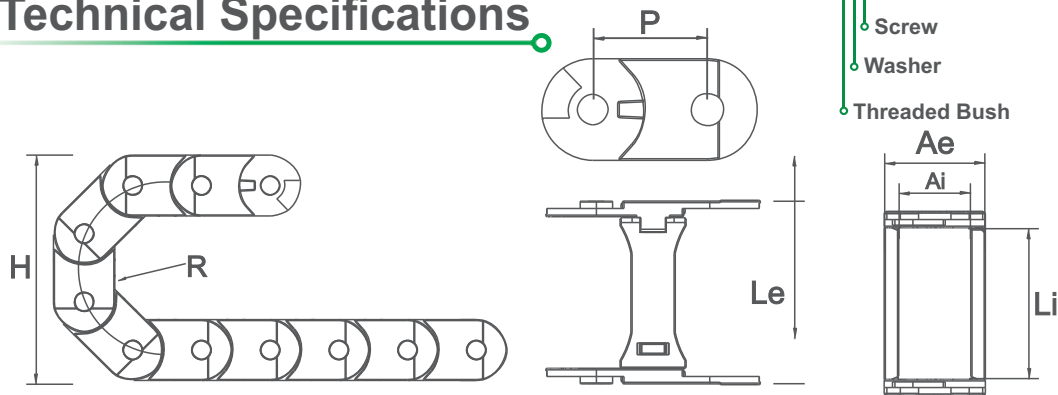
Model with cables separator;

Model with reinforcing rivets.

*Recommended for hydraulic cables or for cable
carriers with more than 4 meters length.



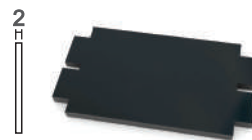
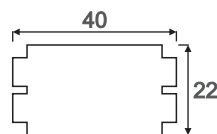
Technical Specifications



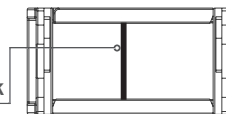
CODE	DESCRIPTION	INNER DIMENSIONS (Li x Ai)	EXTERNAL DIMENSIONS (Le x Ae)	HEIGHT (H)	RADIUS (R)	PITCH (P)	LINKS/ METRO	WEIGHT/ METRO
03688	CABLE CARRIER T125.35 R75mm With REINFORCEMENTS	125x35	152x50	185	75	56	18	2040gr
03777	CABLE CARRIER T125.35 R150mm With REINFORCEMENTS	125x35	152x50	335	150	56	18	2040gr

*Unit of measurement: millimeters

Cables Separator (Cód. 03691)



Example of separator
position inside of the link

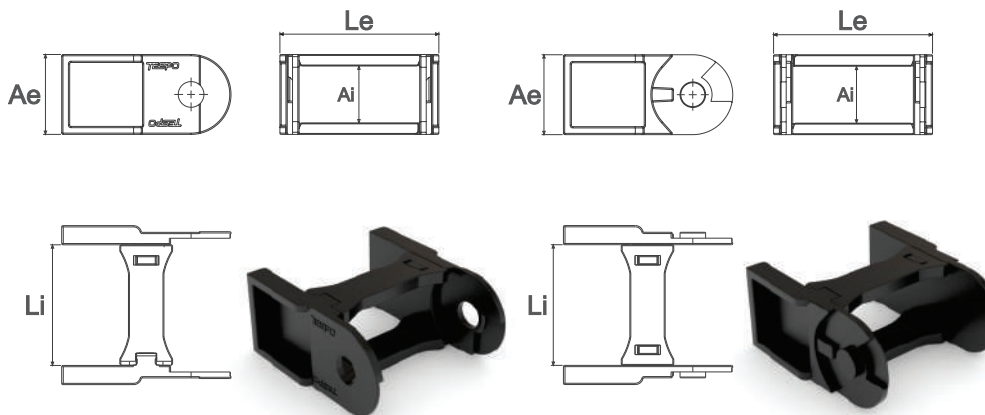


* Recommended to add
1 separator every 3 links

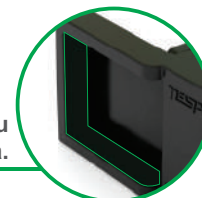
Mounting Brackets

Each cable carrier needs one set of mounting brackets made by two
brackets. Each bracket should be fixed in each end of the cable carrier.

CODE	DESCRIPTION	INNER DIMENSIONS (Li x Ai)	EXTERNAL DIMENSIONS (Le x Ae)
03689	MOUNTING BRACKETS SET T125.35	125x35	150x50



For fixing the mounting brackets, you
can add holes in the highlighted area.



Assembly Plan

Step 1



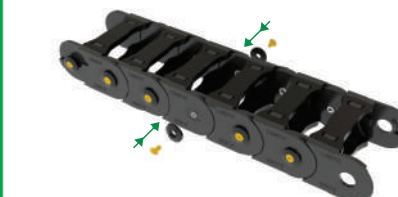
Step 2



Step 3



Final Assembly



*Optional wrench is available to
help during assembly process
(Cód.03684)

