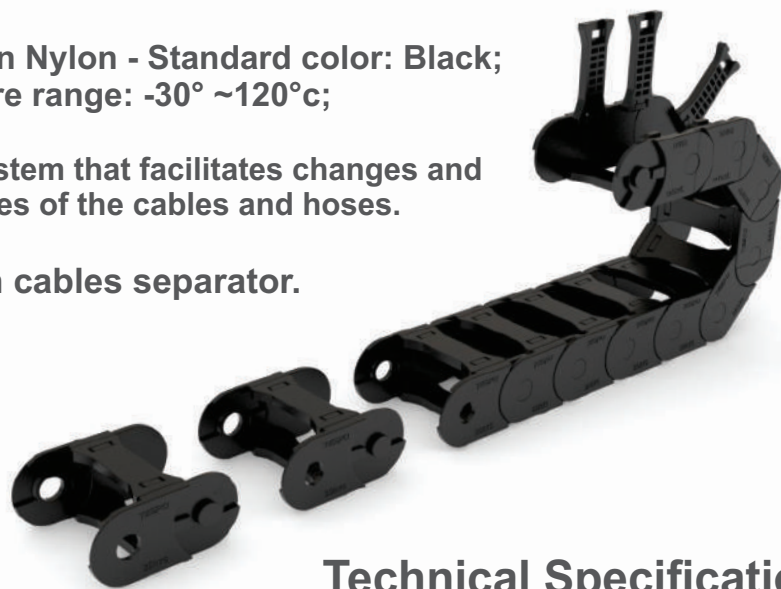


# Cable Carrier T75.35

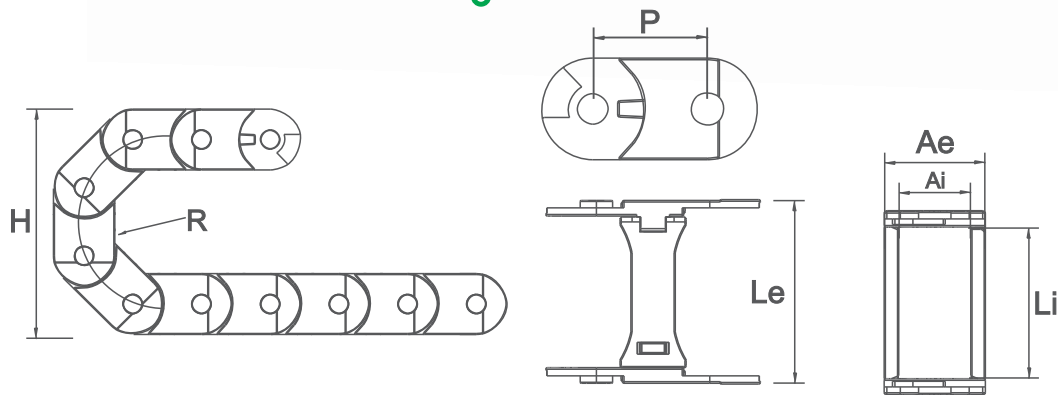
Produced in Nylon - Standard color: Black;  
Temperature range: -30° ~120°C;

Opening system that facilitates changes and  
maintenances of the cables and hoses.

Model with cables separator.



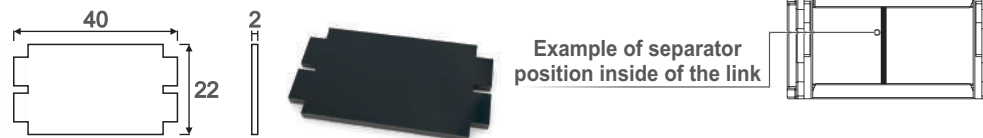
## Technical Specifications



CODE	DESCRIPTION	INNER DIMENSIONS (Li x Ai)	EXTERNAL DIMENSIONS (Le x Ae)	HEIGHT (H)	RADIUS (R)	PITCH (P)	LINKS/ METRO	WEIGHT/ METRO
03483	CABLE CARRIER T75.35 R75mm	75x35	91x50	185	75	56	18	1570gr
03772	CABLE CARRIER T75.35 R150mm	75x35	91x50	335	150	56	18	1570gr

\*Unit of measurement: millimeters

## Cables Separator (Cód. 03558)

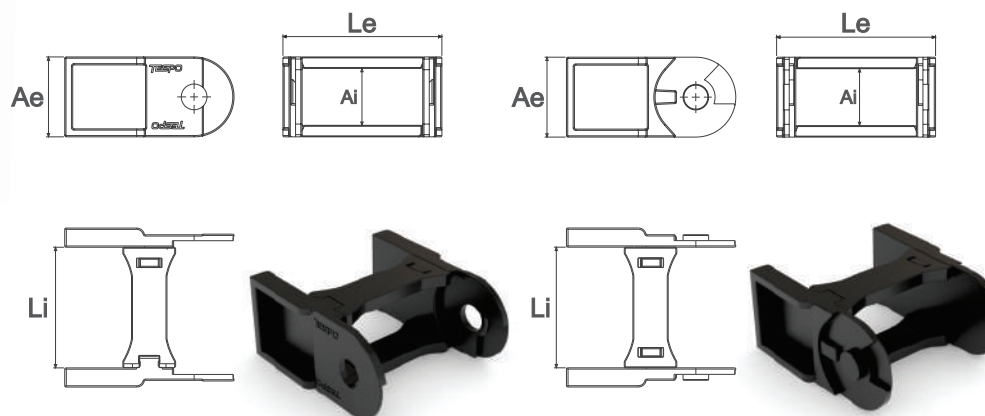


\* Recommended to add  
1 separator every 3 links

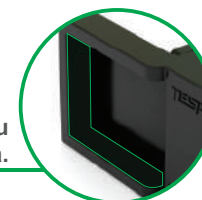
## Mounting Brackets

Each cable carrier needs one set of mounting brackets made by two brackets. Each bracket should be fixed in each end of the cable carrier.

CODE	DESCRIPTION	INNER DIMENSIONS (Li x Ai)	EXTERNAL DIMENSIONS (Le x Ae)
03485	MOUNTING BRACKETS SET T75.35	75x35	99x50



For fixing the mounting brackets, you  
can add holes in the highlighted area.



## Assembly Plan

Step 1



Step 2



Step 3



Final Assembly



\*Optional wrench is available to  
help during assembly process  
(Cód.03684)

