

Cable Carrier T125.25

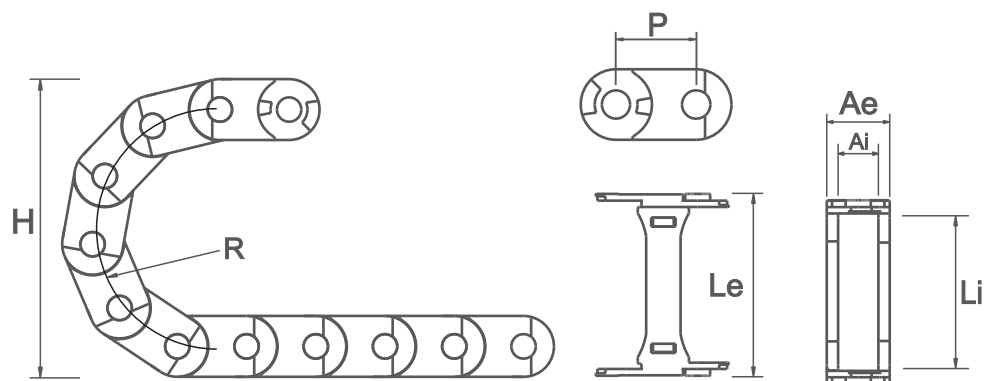
Produced in Nylon - Standard color: Black;
Temperature range: -30° ~120°C;

Opening system that facilitates changes and
maintenances of the cables and hoses.

Model with cables separator;

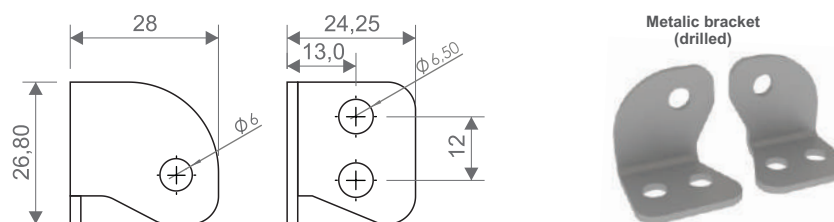
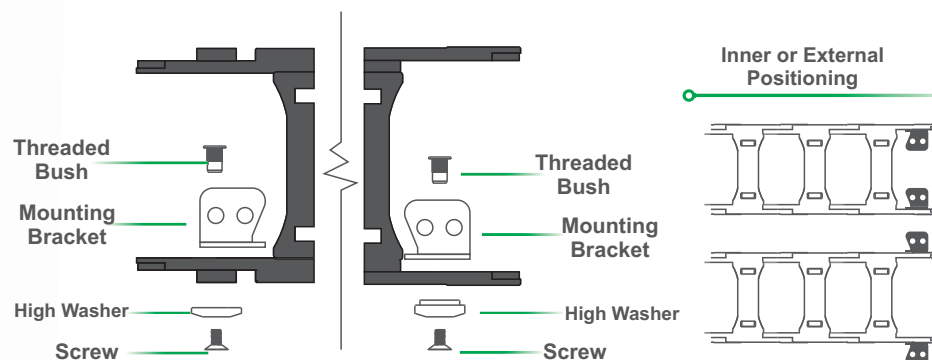
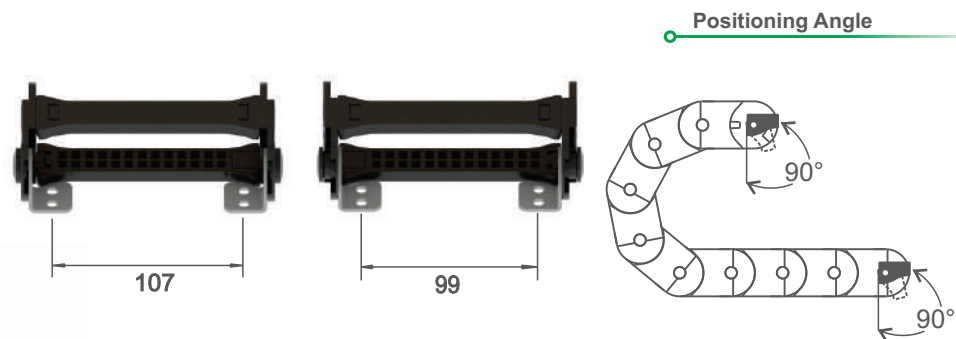


Technical Specifications



CODE	DESCRIPTION	INNER DIMENSIONS (Li x Ai)	EXTERNAL DIMENSIONS (Le x Ae)	HEIGHT (H)	RADIUS (R)	PITCH (P)	LINKS/ METER	WEIGHT/ METER
03846	CABLE CARRIER T50.25.R75	125X25	142X40	190	75	46	22	1760gr
03847	CABLE CARRIER T50.25.R100	125X25	142X40	240	100	46	22	1760gr

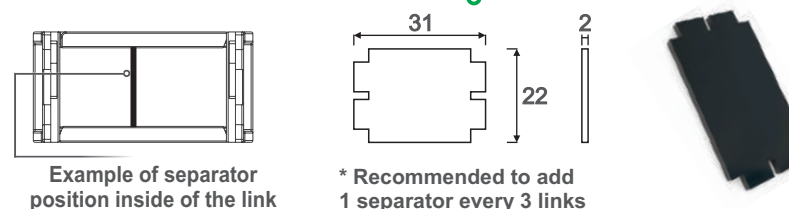
Mounting bracket



CODE	DESCRIPTION	INNER DIMENSIONS (Li x Ai)	EXTERNAL DIMENSIONS (Le x Ae)
03859	MOUNTING BRACKET SET	125X25	151X40

*Unit of measurement: millimeters

Cables Separator (Cód. 03861)

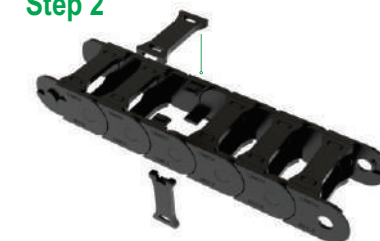


Assembly Plan

Step 1



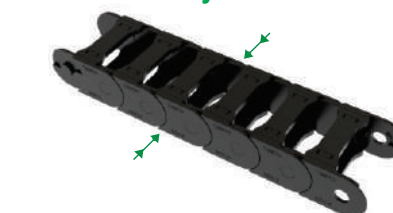
Step 2



Step 3



Final Assembly



*Optional wrench is available to
help during assembly process
(Cód.03684)

