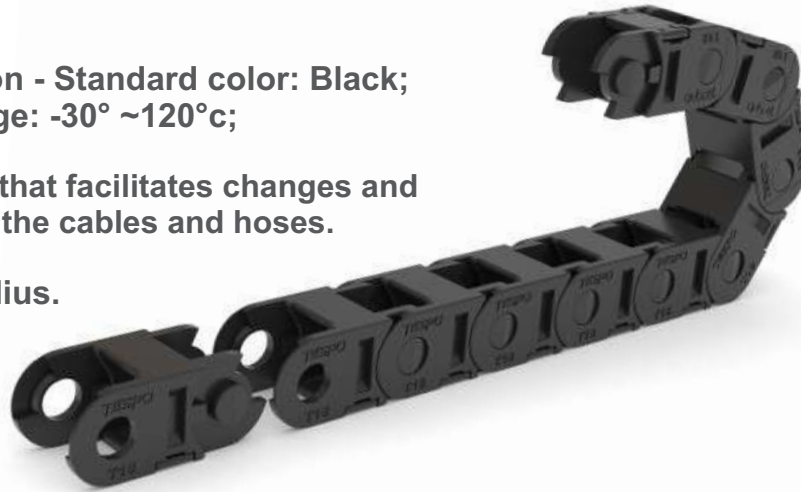


Cable Carrier T18.15

Produced in Nylon - Standard color: Black;
Temperature range: -30° ~120°c;

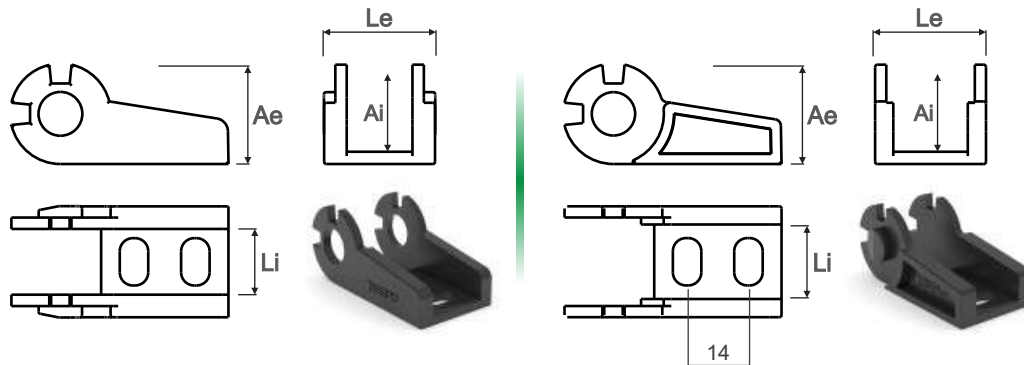
Opening system that facilitates changes and
maintenances of the cables and hoses.

Available in 2 radius.



Mounting Brackets

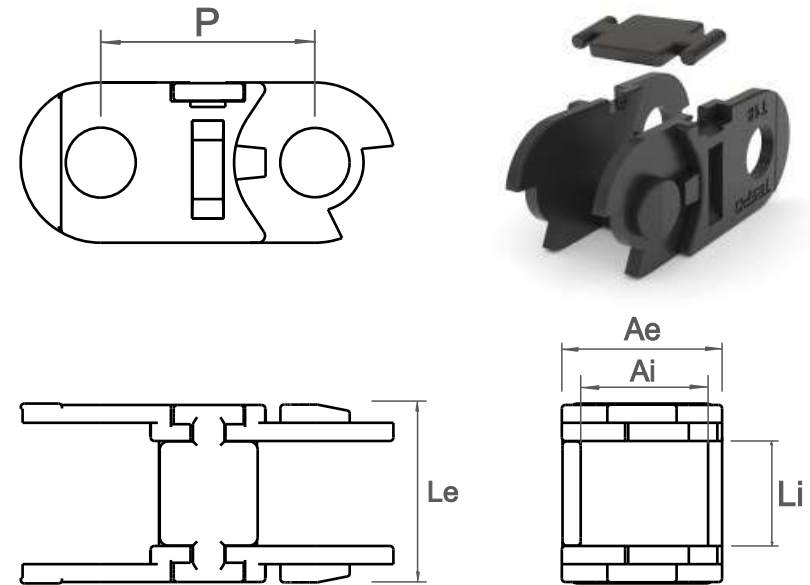
Each cable carrier needs one set of mounting brackets made by two brackets. Each bracket should be fixed in each end of the cable carrier.



CODE	DESCRIPTION	INNER DIMENSIONS (Li x Ai)	EXTERNAL DIMENSIONS (Le x Ae)
04013	MOUNTING BRACKETS T18.15	18X15	25,3X23

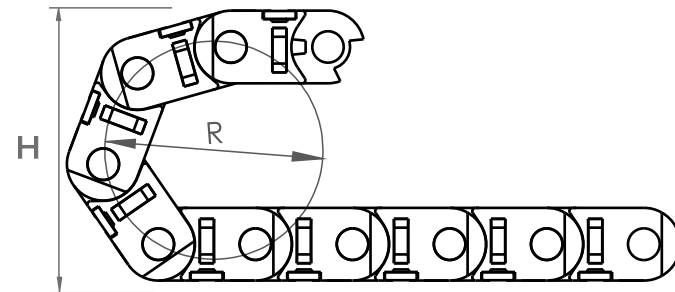
*Unit of measurement: millimeters

Technical Specifications



Raios

28
38



CODE	DESCRIPTION	INNER DIMENSIONS (Li x Ai)	EXTERNAL DIMENSIONS (Le x Ae)	HEIGHT (H)	RADIUS (R)	PITCH (P)	LINKS/ METRO	WEIGHT/ METRO
04011	CABLE CARRIER T18.15.R28	18X15	25,3X23	79	28	30,6	32	309gr
04011	CABLE CARRIER T18.15.R38	18X15	25,3X23	100	38	30,6	32	309gr

*Unidade de medida: milímetros